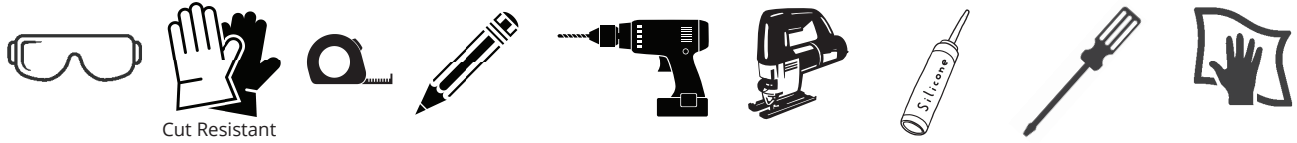


## Attention Installer:

- Elkay recommends that drop-in sinks be installed by a professional, experienced installer.
- Elkay is not responsible for the sink or countertop if damaged during installation.
- Metal edges may be sharp. Use caution when handling.
- Follow all local plumbing and building codes.
- Inspect sink for damage prior to beginning installation.

## Required Tools (not included)



Cut Resistant

## Installation

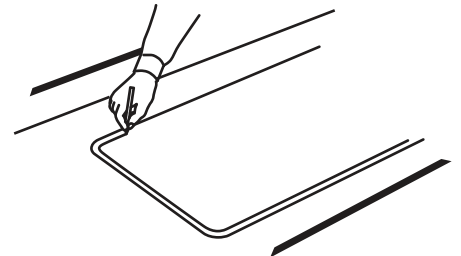
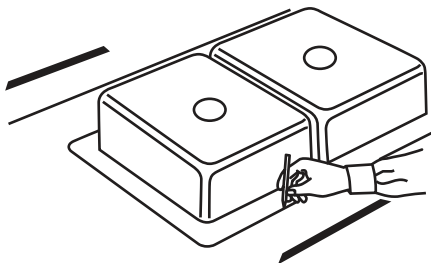


**WARNING:** Always wear safety goggles and gloves when using power tools or handling the sink to prevent personal injury.

- 1** Position the sink upside down on the countertop.

Trace a line around the edge of the sink.

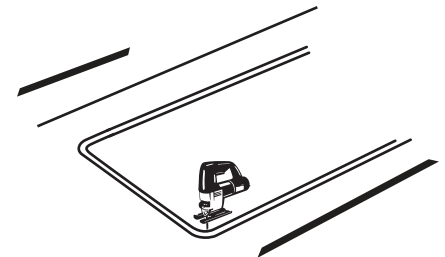
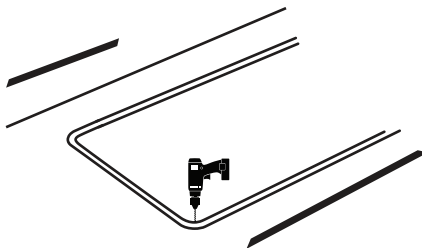
Draw a line 5/16" inside of the outline of the sink.



- 2** Drill a pilot hole in all four corners of the inside line.

Use a saber or jig saw to cut on the inside line.

Place a support underneath the cutout portion of the countertop to prevent it from falling during cutting.



- 3** Apply silicone caulk (not included) around the cutout in the countertop surface.

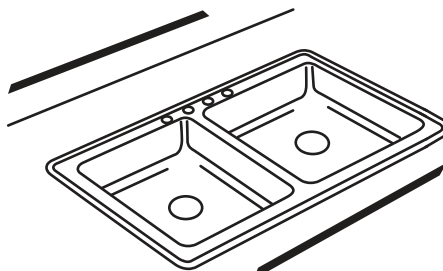
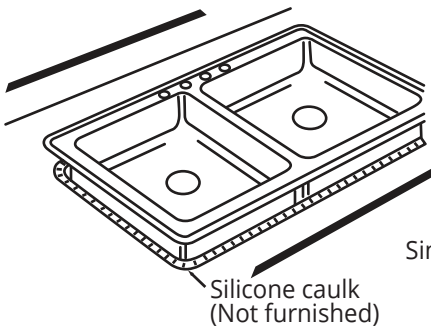
Carefully lower the sink into the cutout.

Assemble the clips and screws.

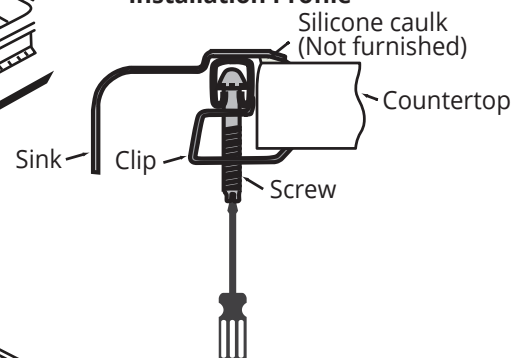
From the underside, place a clip in the center along each side and hand tighten to hold sink in place. Fasten the remaining clips along the edges and space them approximately 3" from each end, and equally along the front, back, and sides. For countertops thicker than 3/4", clips can be spaced as close as 1-1/2".

From the top, check the seal between the sink edge and countertop. Lightly tighten clips evenly with a screwdriver until the sink is tight to the countertop. Do not over tighten.

Wipe away any excess caulk with a rag.



### Installation Profile

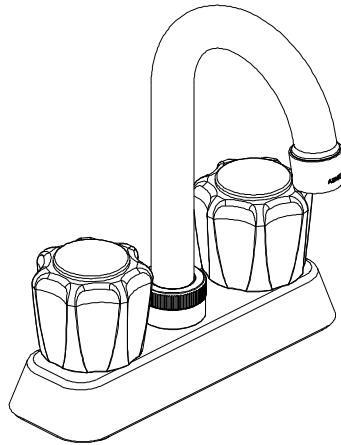


**ELKAY®**

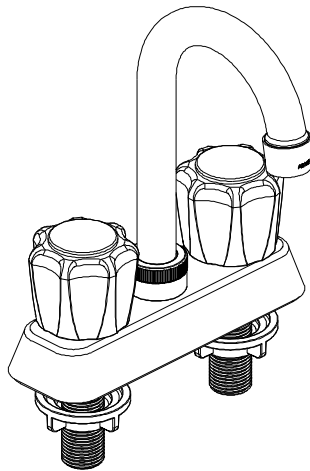
**INSTALLATION / OWNER'S MANUAL**

Single Handle Bar Faucet

Model # LKA2475LF



**INCLUDES:**



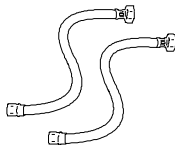
**RECOMMENDED TOOLS:**



Groove joint pliers



Wrench



(2) 1/2 in Supply Lines



Sealant Tape



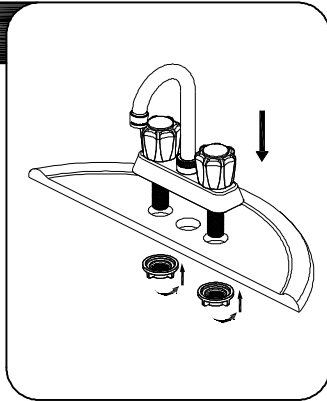
Plumber's Putty

**SAVE FOR CONSUMER**

**WARNING: Please carefully read and properly follow the instructions for installation found in this manual.**

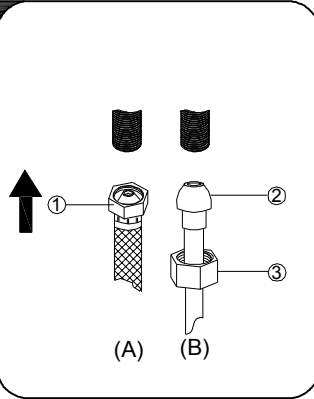
## STEPS:

1



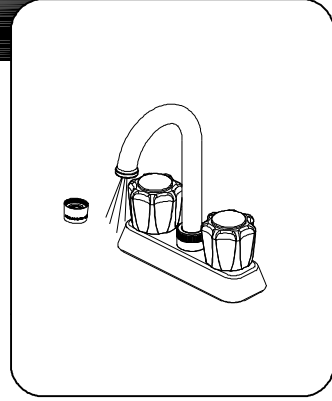
Place faucet in position on sink. From under sink, threads mounting nuts onto faucet. Tighten mounting nuts. Hand tighten only.

2



Make connections to water lines. Use 1/2" I.P.S. faucet connections (1) or use supplied coupling nuts (2) with 3/8" O.D. ball-nose riser (2). Use wrenches to tighten connections. Do not overtighten.

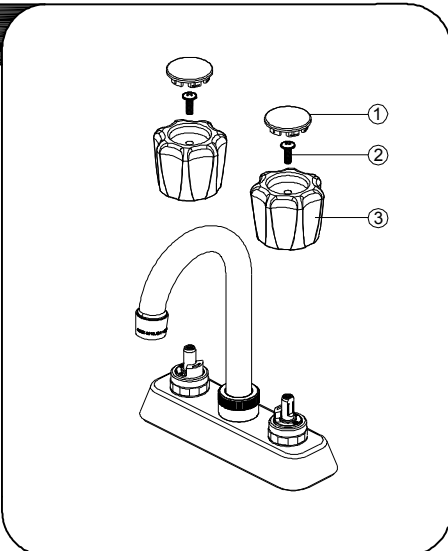
3



Important: After installation is completed, remove aerator. Turn on hot and cold water supplies. Turn handle to full open position for one minute. Check for leaks. Replace aerator.

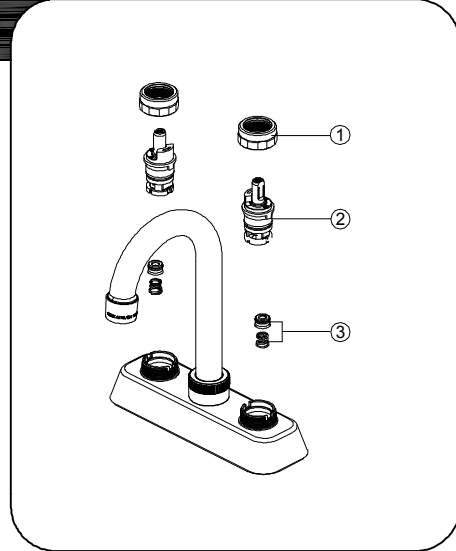
## CARTRIDGE REPLACEMENT

1



Shut off water supply. With valves in "closed" position, remove index (1) from handle (3). Loosen the screw (2) and remove handle (3).

2



Loosen cartridge nut (1) by turning it counter-clockwise and lift out the cartridge (2) and disc & spring (3). Insert new cartridge and disc & spring. Reinstall the handle.

## CARE AND CLEANING INSTRUCTIONS

Congratulations on your purchase of an Elkay product. Although your product is extremely durable, attention should be given to the care, cleaning and maintenance of this product. Cleaning agents and abrasives may cause damage, which may result in oxidation and discoloration.

By following these simple guidelines for proper care and cleaning, it will give you years of enjoyment:

TO CLEAN: Simply wipe gently with a damp cloth and blot dry with a soft towel. A common rule of thumb is: when you dry off, dry off your product.

- Avoid build-up of soap, toothpaste or mineral deposits, as these tend to have an adverse effect on the appearance of the product.
- NEVER use cleaning products of any kind on this product - especially those containing ammonia, bleach or alcohol - or those with any form of abrasive.

FOR CARE AND MAINTENANCE:

- The water in certain areas of the world can be very caustic - standing water around the product can cause damage. Be sure to remove standing water with a dry, soft cloth as soon as possible.
- For polished brass finishes, as often as once a week, you can apply a paste wax or special, non-abrasive, brass coating (DO NOT APPLY POLISH).
- Before applying a protective coating, gently brush the entire fixture using a soft tooth brush. This will remove any dirt or deposit build-up.
- These simple steps will add temporary protective coating to your faucet and extend the life of the finish.

Failure to follow care and cleaning will void your warranty. For additional information, please visit [elkayusa.com](http://elkayusa.com).

## WARRANTY

### ELKAY LIMITED LIFETIME WARRANTY

#### ELKAY LIMITED LIFETIME WARRANTY

Elkay warrants that all parts and finishes of the Elkay Residential brand faucets are free from defects in materials and workmanship for the life of the product, if purchased after 1996. This warranty covers the original consumer purchaser of the product only.

If the product should leak or drip during normal use, Elkay will provide, free of charge, a replacement cartridge. For other defects in material or workmanship, Elkay will, at its option, supply replacement parts (or if no longer available a comparable product). Elkay reserves the right to examine product in question and its installation prior to replacement.

#### What is not covered:

1. Damage caused by accident, negligence, misuse, abuse, improper installation or operation or failure to follow care or installation instructions enclosed with your product.
2. Damage occurring during shipment of the product (claims must be presented to the carrier).
3. Normal wear and tear.
4. Labor charges, costs of removal and reinstallation, and any damages to other property.
5. All industrial, commercial and business use whose purchasers are hereby extended a limited lifetime on mechanical parts and 5 years on finish.

#### What you must do to obtain warranty service:

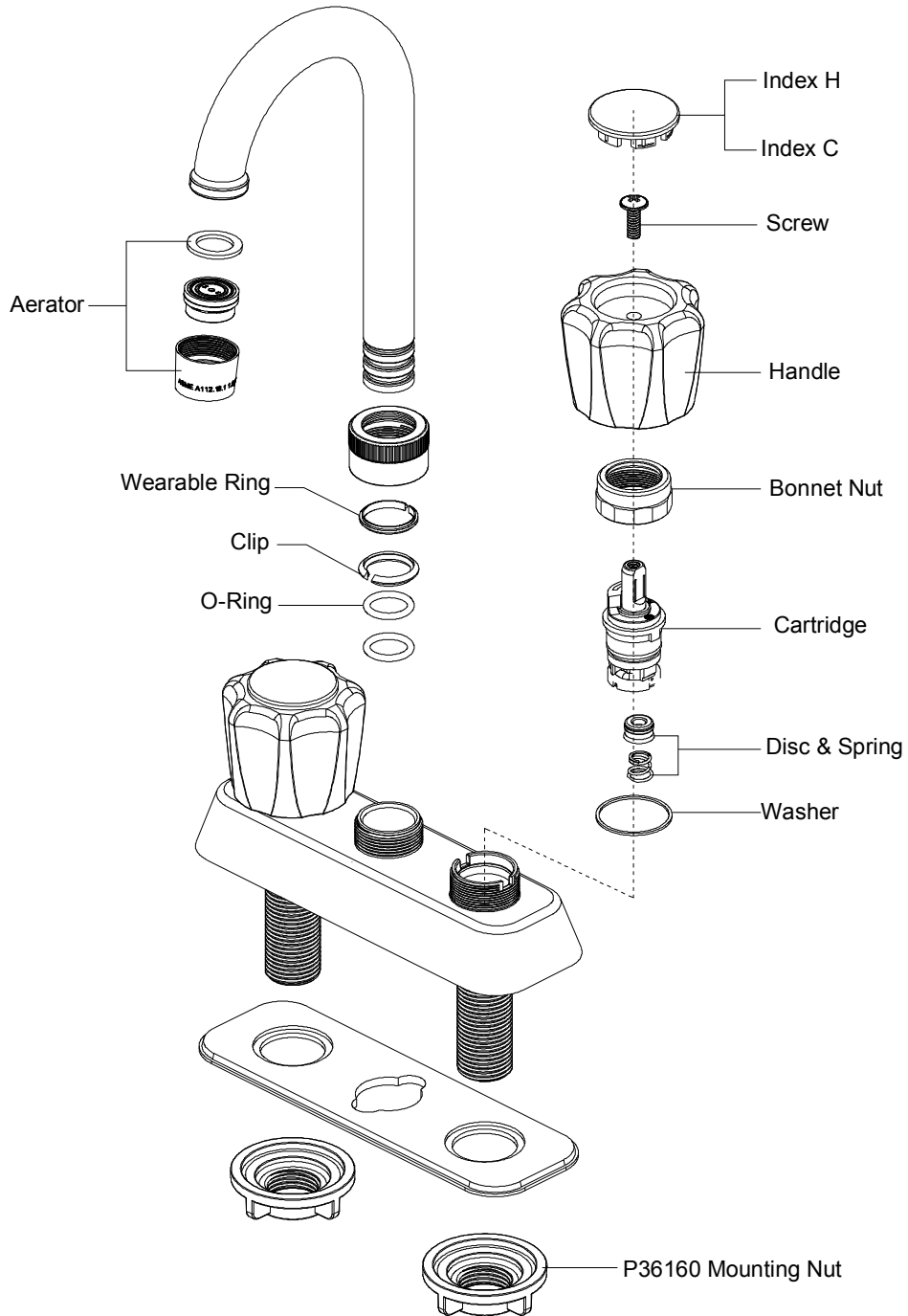
Either write to Elkay, attention Customer Care, 2222 Camden Court, Oak Brook, IL 60523 or call 1-800-223-5529. Please provide date of purchase and installation, description of nature of the defect, and model number or description of model and/or component part.

THIS LIMITED WARRANTY IS EXPRESSLY IN LIEU OF ANY OTHER WARRANTIES, EXPRESSED IMPLIED, ARISING BY LAW OR OTHERWISE, INCLUDING WITHOUT LIMITATION, ANY IMPLIED WARRANTY OF MERCHANTABILITY OR FITNESS FOR A PARTICULAR PURPOSE. THIS LIMITED WARRANTY MAY NOT BE ALTERED, VARIED, OR EXTENDED, EXCEPT BY A WRITTEN INSTRUMENT EXECUTED BY ELKAY. THE REMEDY OF REPAIR OR REPLACEMENT AS PROVIDED UNDER THIS LIMITED WARRANTY IS EXCLUSIVE. IN NO EVENT SHALL THE MANUFACTURER BE LIABLE FOR ANY CONSEQUENTIAL OR INCIDENTAL DAMAGES TO ANY PERSON, WHETHER OR NOT OCCASIONED BY NEGLIGENCE OF ELKAY, INCLUDING WITHOUT LIMITATION DAMAGES FOR LOSS OF USE, COSTS PROPERTY DAMAGE OR OTHER MONETARY LOSS.

Some states do not allow the exclusion or limitation of incidental or consequential damages or limitations on how long an implied warranty lasts, so the above limitations or exclusions may not apply. This warranty gives you specific legal rights and you may also have other rights which vary from state to state.

This warranty covers product installed in the United States and Canada.

# REPLACEMENT PARTS



## Attention Installer:

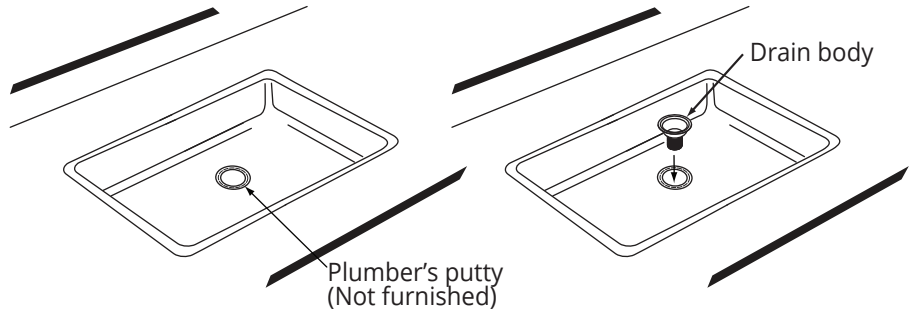
- Elkay is not responsible for improper drain installations.
- Elkay is not responsible for the sink if damaged during installation.
- Follow all local plumbing and building codes.
- Inspect drain for damage prior to beginning installation.

## Required Tools (not included)



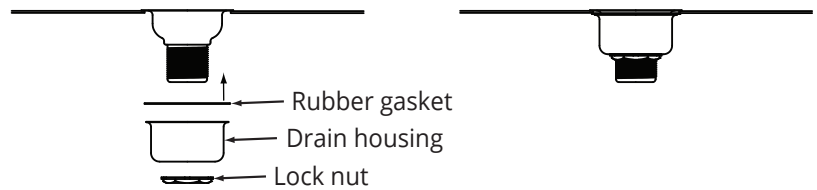
## Installation

- 1** Apply plumber's putty or sealant to the top of the sink drain flange area. Place drain body in the the drain opening of the sink.



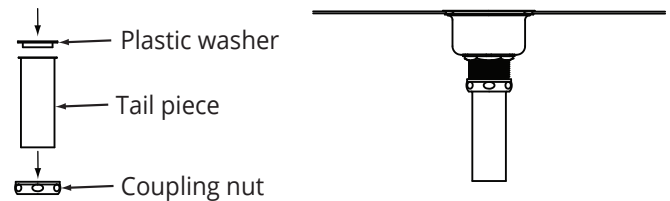
- 2** From the underside of the sink, slide the rubber gasket over the bottom of the drain body till it's flush with the bottom of the sink.

Slide the drain housing over the bottom of the drain body till it's flush with the rubber gasket and the bottom of the sink. Thread on the lock nut until tight with the housing.



- 3** Place the plastic washer inside of the tail piece. Slide the coupling nut over the tail piece.

Thread on the coupling nut onto the drain housing until tight.



- 4** Wipe away any excess plumber's putty from the sink with a rag.

Place strainer basket into the drain body.

\*Note: Drain bodies and strainer baskets may vary depending on models. Some models may come with a strainer grid, in place of a strainer basket, that will need to be screwed into the drain body.

\*\*Model shown is a LK99.

